

The Box Hollower is just one of the many unique woodturning tools from Robert Sorby.

Other special products include:

#### Mushroom tool (Ref:804H)

The same unique design as the Box Hollower but with a shorter shaft and smaller handle as the Captive Ring Tool . This allows for more delicate projects to be produced and is fitted with a Mushroom cutter for undercut hollowing such as the underneath of mushroom caps.

#### Unique cutters

All the cutters for the Mushroom Tool, the Box Hollower and the Captive Ring Tool are interchangeable, together with many more cutters available seperately, unique to these three tools.

#### Stebcentre

The ultimate woodturners spindle turning drive centre. The Stebcentre has razor sharp serrated teeth for extreme grip on the work piece. It has a stainless steel spring loaded centre pin that allows for differing amounts of pressure to be applied to the workpiece. This unique centre pin design is useful to both the beginner as well as the professional. It is available in 1MT and 2 MT with head sizes of 1/2" (13mm) 7/8" (22mm) and 1 1/4" (32mm) and for larger lathes there is also a 3MT version of the 1 1/4" (32mm).

#### Steb Drive

The Steb Drive is also available with the same sized heads as the standard version but with a specially design body to fit into the jaws of most 4 jaw scroll chucks.

#### Revolving (Live) Stebcentre

As a compliment to the Stebcentre in the headstock there is also a revolving or live centre version. Not only does this exert an even more secure grip, it also allows the turner to produce basic off-centre work with complete confidence. Available with 1/2" (13mm) 7/8" (22mm) and 1 1/4" (32mm) head and in 1MT or 2MT.

#### Hardwood scraper (Ref:821H) Micro (Ref:860H)

A scraper specifically developed for harder woods such as African Blackwood where a standard scraper would tear the grain giving a rough finish. Due to its design the Hardwood scraper produces a perfect smooth finish everytime.

## Robert Sorby

Athol Road, Sheffield S8 0PA, England

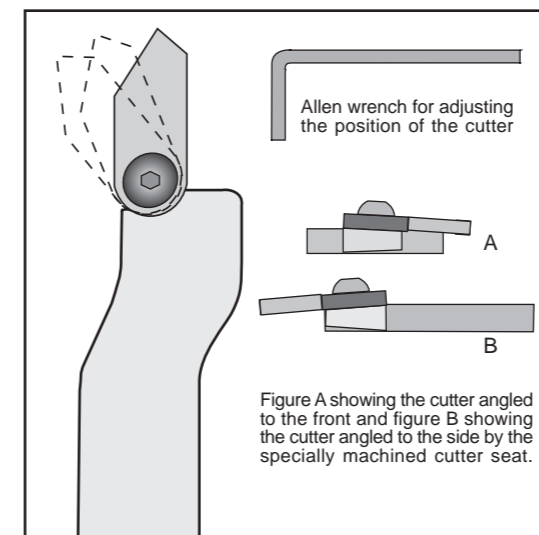
Tel: +44 (0) 114 2250700 Fax: +44 (0) 114 2250710

Email: sales@robert-sorby.co.uk Website: www.robert-sorby.co.uk

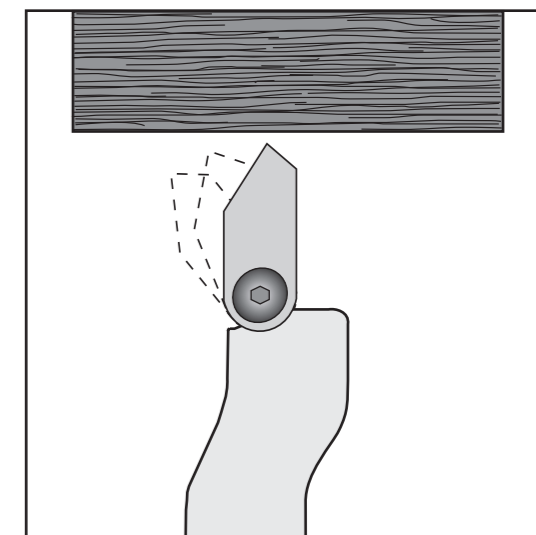
# Robert Sorby BOX HOLLOWER

The Box Hollower from Robert Sorby has some unique and innovative features. It is specifically designed to allow for straight hollowing such as small boxes. The shape of the cutter allows for the inside bottom of a project to be flat and the side walls to be even and parallel.

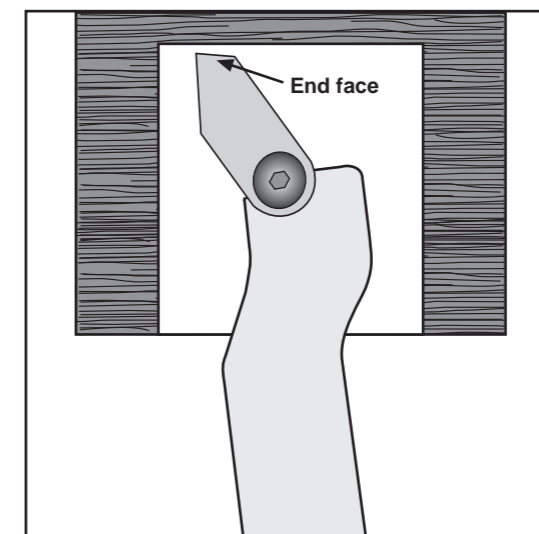
Many other specially designed cutters are available for this tool (See below for details)



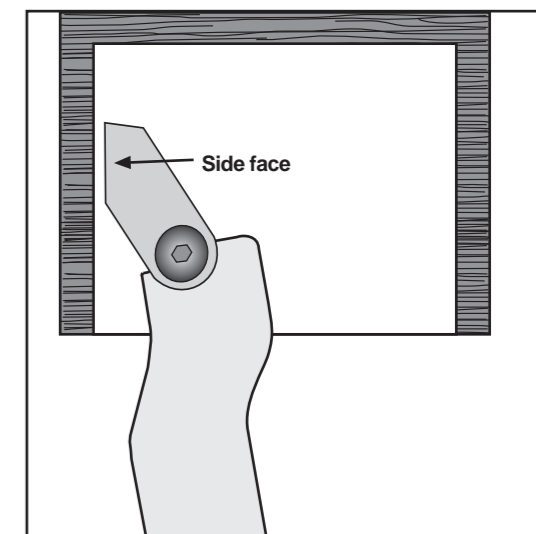
The Box Hollower is fitted with the side / end box hollowing cutter and comes with an Allen key/ wrench for cutter adjustment.



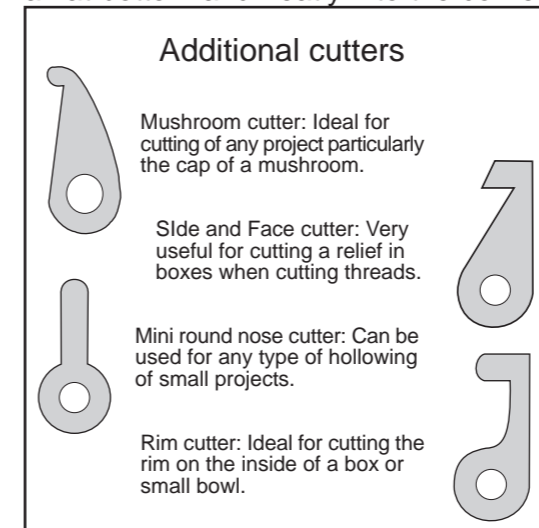
The cutter can be adjusted to suit the best position for the cut required. To start hollowing use the cutter in-line with the shaft and bore the centre of the box



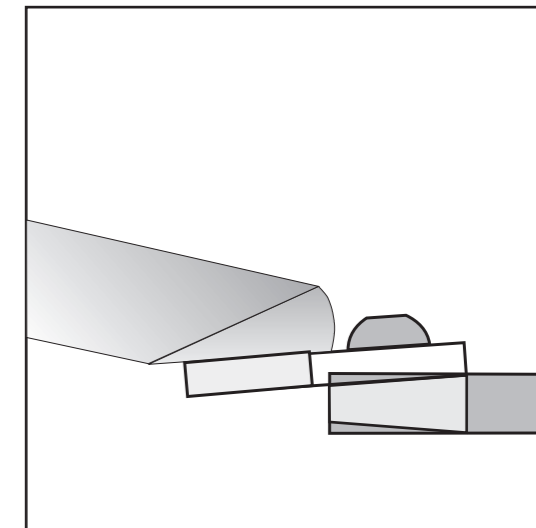
The box can be hollowed from the centre outwards using a gentle sweeping action. Adjust the cutter so that the end face cuts a flat bottom and neatly into the corner.



Adjust the cutter back so the side face is flat to create parallel sides to the box.



Listed here are the other cutters that are available for the Box Hollower.

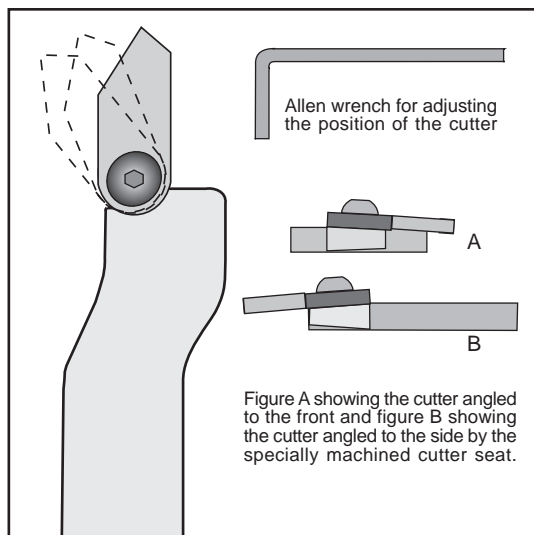


Sharpen across both the top and bottom face of the cutter using a honing stone or diamond file.

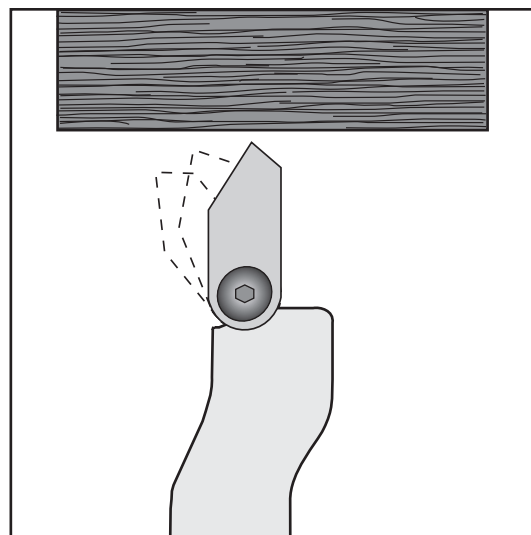
# Robert Sorby BOX HOLLOWER

The Box Hollower from Robert Sorby has some unique and innovative features. It is specifically designed to allow for straight hollowing such as small boxes. The shape of the cutter allows for the inside bottom of a project to be flat and the side walls to be even and parallel.

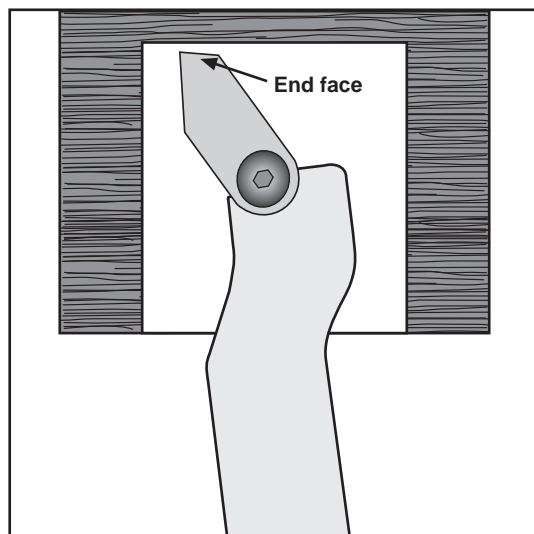
Many other specially designed cutters are available for this tool (See below for details)



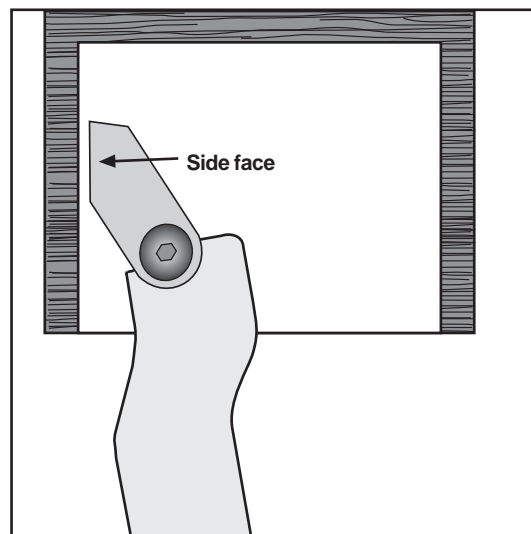
The Box Hollower is fitted with the side / end box hollowing cutter and comes with an Allen key/ wrench for cutter adjustment.



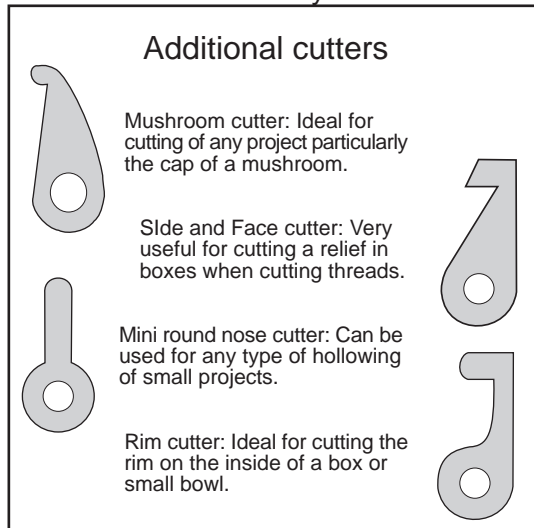
The cutter can be adjusted to suit the best position for the cut required. To start hollowing use the cutter in-line with the shaft and bore the centre of the box



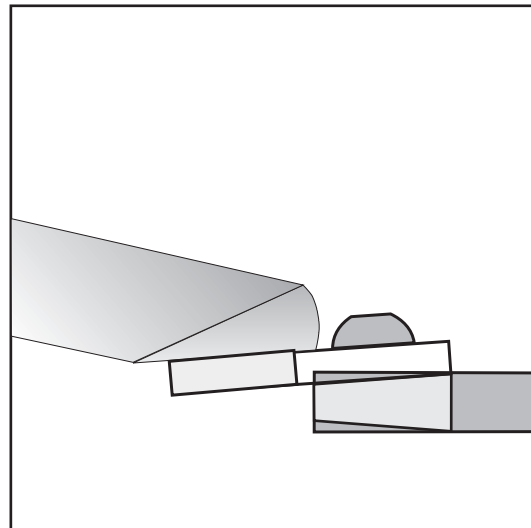
The box can be hollowed from the centre outwards using a gentle sweeping action. Adjust the cutter so that the end face cuts a flat bottom and neatly into the corner.



Adjust the cutter back so the side face is flat to create parallel sides to the box.



Listed here are the other cutters that are available for the Box Hollower.



Sharpen across both the top and bottom face of the cutter using a honing stone or diamond file.